

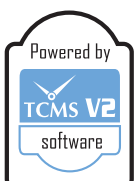
Time is free, but it's priceless



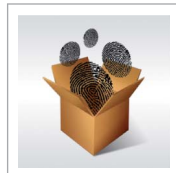
## AC100C Fingerprint Time & Attendance System



We present to you the latest in the AC100 series: FingerTec AC100C! This model is a step above the previous FingerTec's AC100 for it now has additional features such as a full colour screen, configuration icons and USB data management. AC100C was designed for cost-effectiveness, so that smaller companies or those with a lower budget set aside for security and time management systems can still have FingerTec solutions implemented in their workplace. AC100C has an amazing capacity for fingerprint templates and transaction records, plus it can be synchronized with the TCMS V2 software for easier data management. Basically, the AC100C was designed to give you practicality at a lesser cost.



**Easy Data Management**  
All you need is a USB flash disk to transfer transaction logs to your computer. It is that easy!



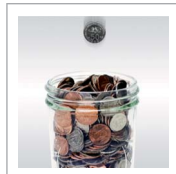
**Supersized Capacity**  
Get up to 10000 fingerprint templates and 200000 transaction logs – more than enough to fulfill the requirements of an SME.



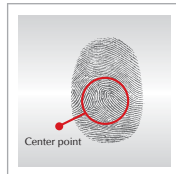
**Full Colour Screen**  
Treat your eyes to the new colour display on AC100C. The screen is now bigger, better, and clearer.



**User Friendly**  
AC100C has icons that function especially for configuration which gives the whole device a more user-friendly feel.



**Value for Money**  
This model was designed to be economical so that you are able to implement FingerTec solutions at a lower cost. We believe that when it comes to security, there should be no compromise.



**Precise Recognition**  
AC100C uses minutiae matching technology that ensures only enrolled users are granted access.



**Manage Your Data Easily**  
Administration is easy with the bundled software! FingerTec's TCMS V2 software allows you to generate reports, monitor attendance and integrate FingerTec with a third party system



**Eliminate Buddy Punching**  
The weakness of the clock-in card system is that 'buddy punching' can occur where one employee can clock in the time for another employee if any of them are late. Eliminate this occurrence by using the unique perindividual fingerprint as a clock-in card!

## WEB LINK

### Product

• <http://info.fingertec.com/ac100c-1>

### Quick Start Guide

• <http://info.fingertec.com/ac100c-2>

### Installation Guide

• <http://info.fingertec.com/ac100c-3>

### User Guide

• <http://info.fingertec.com/ac100c-4>

### Video Guide

• <http://info.fingertec.com/ac100c-5>

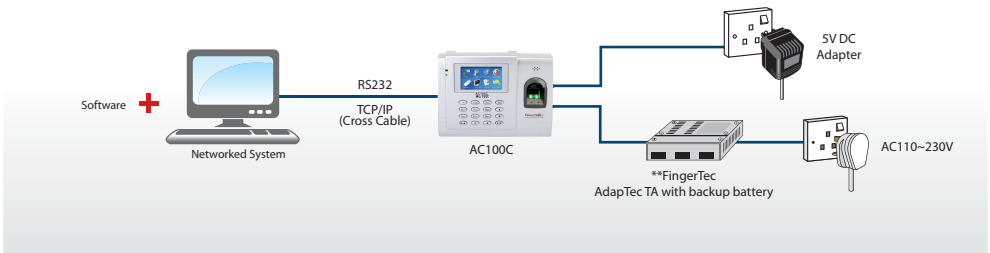
### Technical Tips

• <http://info.fingertec.com/ac100c-6>

## LAYOUT PLAN

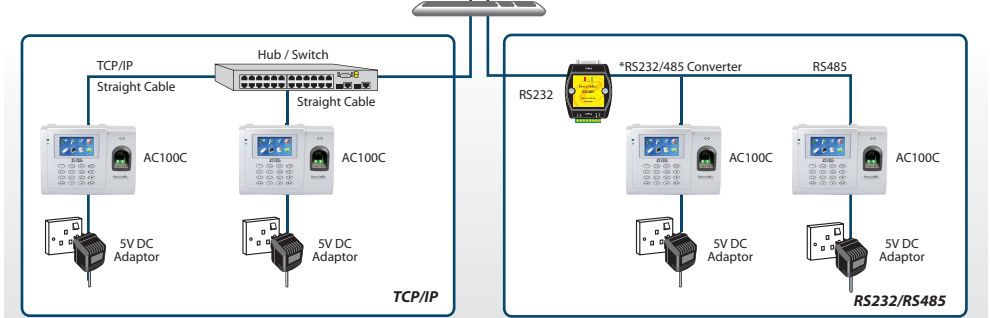
### Layout Plan (Standalone)

for illustration only  
\*\* optional



### TCP/IP or RS485 Environment

for illustration only  
\* item not included in the package



## SPECIFICATIONS

<b>MODEL</b>	AC100C
<b>SURFACE FINISHING</b>	Acrylonitrile butadiene styrene (ABS)
<b>TYPE OF SCANNER</b>	Optical fingerprint scanner
<b>MICROPROCESSOR</b>	400 MHz
<b>MEMORY</b>	256 MB flash memory & 32 MB SDRAM
<b>ALGORITHM</b>	BioBridge VX 9.0 / VX 10.0
<b>PRODUCT DIMENSION (L X W X H), mm</b>	195 x 48 x 144
<b>STORAGE</b>	
• Fingerprint templates	10000
• Transactions	200000
<b>ENROLLMENT &amp; VERIFICATION</b>	
• Methods	Fingerprint (1:1, 1:N) & password
• Recommended fingerprint per user ID	2
• Fingerprint placement	Any angle
• Verification time (sec)	<1
• FAR (%)	< 0.0001
• FRR (%)	< 1
<b>COMMUNICATIONS</b>	
• Method	TCP/IP, USB disk (Optional: RS232 & RS485)
• Baud rates	9600, 19200, 38400, 57600, 115200
<b>OPERATING ENVIRONMENT</b>	
• Temperature (°C)	0 ~ 45
• Humidity (%)	20 ~ 80
• Power input	DC 5V 2A
<b>TIME ATTENDANCE</b>	
• Work codes	Yes
• Fast transaction checking	Yes
<b>MULTIMEDIA</b>	
• Voice	Yes
• Display	3.0" 65k color TFT screen
• Short message	Yes
<b>VOICE / DISPLAY LANGUAGE (TERMINAL)</b>	English (Standard), Arabic, Malay, Indonesian, Chinese Traditional / Simplified, Cantonese, Thai, Spanish, Portuguese (Portugal), Portuguese (Brazil), French, Russian, German, Turkish, Persian. <i>Other languages are available upon request.</i>
<b>SOFTWARE LANGUAGE</b>	English, Arabic, Arabic (Kuwait), Chinese Traditional / Simplified, Persian, French, German, Indonesian, Italian, Korean, Lithuanian, Malay, Polish, Portuguese, Portuguese (Brazil), Russian, Spanish, Thai, Turkish, Vietnamese

NOTE: Specifications are subject to change. Check <http://product.fingertec.com> for latest product information.

Authorized Reseller:



### Packaging

Dimension (mm) : 245 (L) x 90 (W) x 225 (H)  
Weight : 1.2 kg



**FINGERTEC**  
www.fingertec.com

© 2000-2014 FingerTec Worldwide Limited. All rights reserved.